

## Flexcomm LandForn Broadband Router Solution



### Product Overview

---

**Landforn Broadband Router Solution** is based on Intel® IXP425 network processor which is a highly integrated, versatile single-chip processor that can be used in a variety of products that need network connectivity and high performance to run their unique software applications. The Intel IXP425 network processor combines integration with support for multiple WAN and LAN technologies in a common architecture designed to meet requirements for high-end gateways and SME routers.

Lanforn is especially designed for small enterprises, offices and SOHO to access internet. It features strong functions, high performance, and easy configuration router with Intel IXP425 network processor and mini-compact size. The LanForn provides many management functions, including system, DHCP server, virtual server, DMZ hosts, firewall, and static routing table.

### Applications

---

- LAN Gigabit Router/Switch
- VPN/Firewall
- SOHO Router/Switch

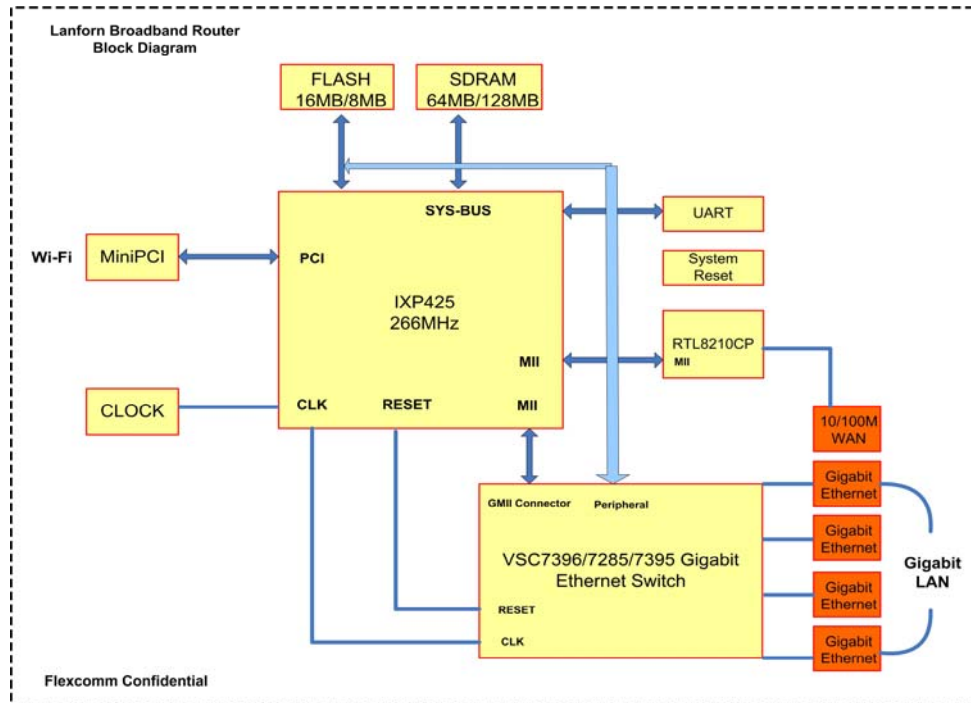
### Product Highlights

---

- Intel® IXP425 network processor at 533MHz
- 1 10/100Mbps Auto-Negotiation WAN RJ45 port, 1 x supporting Auto-MDI/MDIX 100Mbps WAN
- 4 10/100/1000Mbps Auto-Negotiation LAN ports, supporting Auto-MDI/MDIX
- 1 Mini-PCI connector for expandable features, support wireless access
- Complies with IEEE 802.3, IEEE 802.3u standards
- Supports firmware upgrade, Remote and Web management
- Supports Static Routing



## Block Diagram



## Hardware Specifications

<b>Processor</b>	Network Processor	Intel® IXP425 533MHz
		8MB FLASH (up to 16MB)
		64MB SDRAM (up to 128MB)
<b>Network</b>	LAN	4 10/100/1000 Ethernet ports
	WAN	1 10/100 Ethernet port
<b>Expanding Interfaces</b>	WiFi	1 miniPCI type III A connectors
<b>LEDs</b>	LAN Link/Act	4 LEDs per port for LAN
	WAN Link/Act	1 LED for WAN
<b>Other Characteristics</b>	Dimension	133mm x 106mm
	Power Input	+12VDC, 3A
	Environmental	Operating Temperature: 0~+50°C Storage Temperature: -20~+70°C Humidity: 5%~95%