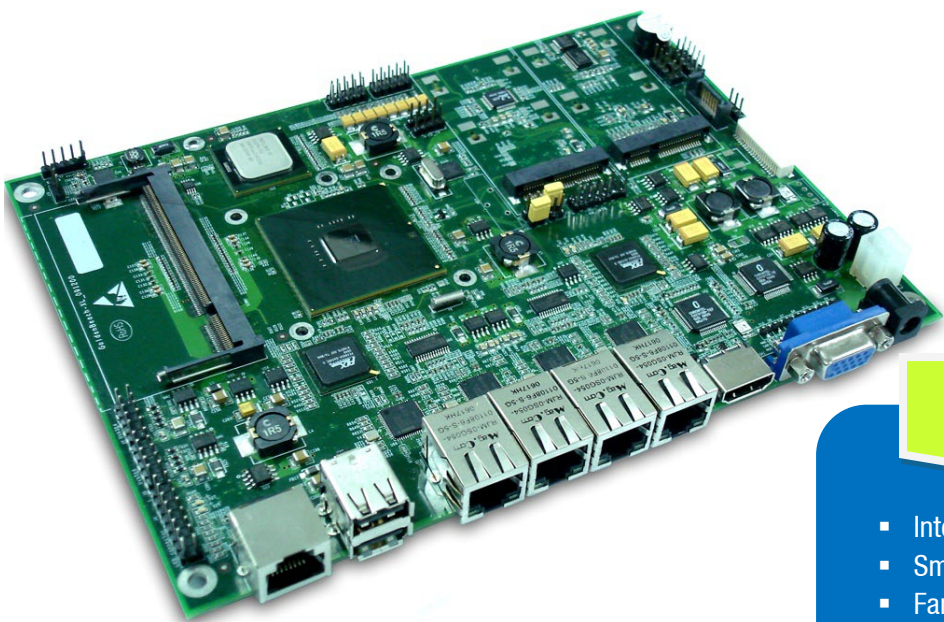


GoldenBeach-XL

Embedded Platform with industrial graded specifications



Product

Highlight

- Intel® Atom™ processor Z510P/Z530P
- Small Footprint (203mm x 146mm)
- Fanless Design, Ultra Low Voltage
- Dual Independent Display (VGA/HDMI/LVDS)
- Quad Port Gigabit Ethernet
- Support SATA HDD and ZIF SSD (Solid-State Drive)

Targeted Embedded Applications

- Digital Signage
- Thin Clients
- Point of Sale (POS)
- Industrial Graded Embedded platform
- Digital Security
- HD multimedia gateway

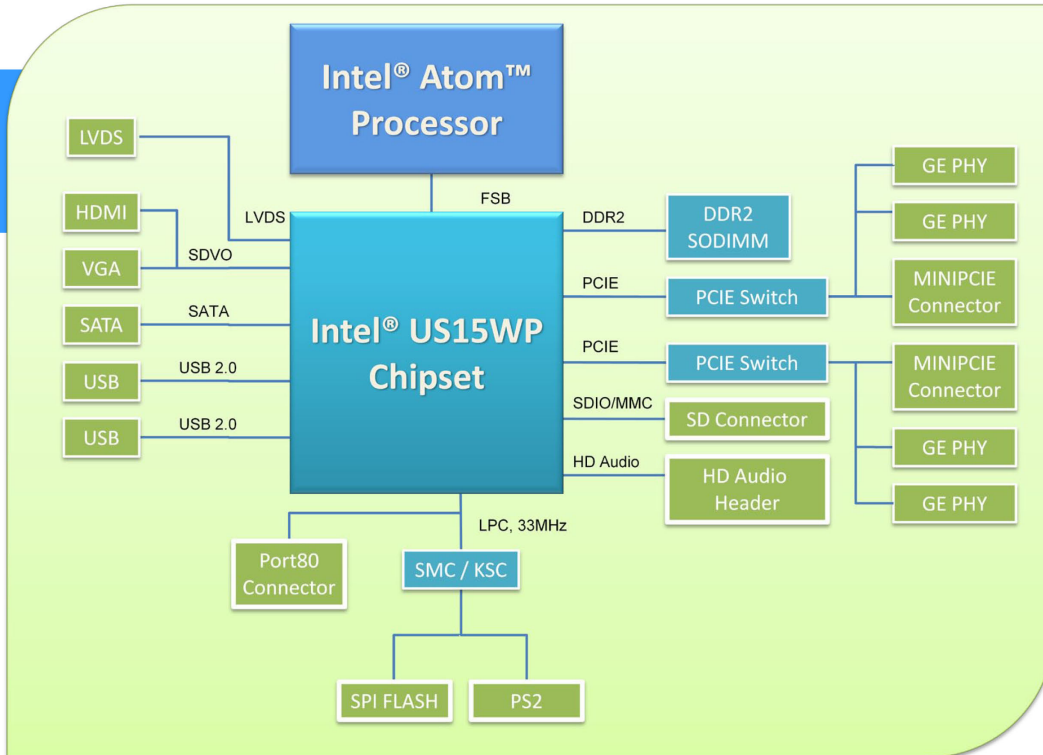
Product

Overview

GoldenBeach-XL is packed with the Intel® Atom™ processor Z510P/Z530P, Intel® SCH US15WP and GMA 500 chipset, SODIMM DDR2 SDRAM, SATA hard disk through USB connection or high capacity and fastest ZIF SSD, VGA/HDMI and 24bit LVDS dual independent display, Quad-port Gigabit Ethernet, high definition 2.0 audio and support a range of Operating System (Microsoft® Windows XP embedded, Microsoft® Windows XP, Microsoft® Windows 7 and Linux). It operates at ultra low power consumption with industrial temperature specifications, suitable for general industrial, medical and commercial application such as Point of Sales, Digital Signage, Industrial Graded embedded platform, Digital Security, Thin Clients, and HD multimedia gateway.

The highly scalable architecture of GoldenBeach-XL enables easy specification and features upgrade for OEM products. For instance, with minimal design customization, this platform is capable of supporting 3G/WiMAX wireless telecommunication technology through miniPCI-E connectors. This helps OEMs to minimize their investment in product roadmap development cycle.

GoldenBeach-XL can be customized to meet different customers' designs and requirements. Flexcomm provides its strength and capability to consistently deliver products with up-to-date technology and features.



Block

Diagram

Contact Information

Flexcomm Limited (HQ)

Flat 204-205, 2/F Laford Center,
838 Lai Chi Kok Road, Cheung Sha Wan,
Kowloon, Hong Kong.
Tel: +(852)-2303-0711
Fax: +(852)-2317-7522

Shenzhen (China) Branch

Flexcomm Technology (Shenzhen) Limited
13th Floor, SangDa Science and Technology
Building,
No 1 Keji Road, Hi-tech Industrial Park,
Nanshan District, Shenzhen 518057 P.R.
China.
Postal Code: 518057
Tel: +(86)-755-8631-6396 / 8631-6325
Fax: +(86)-755-8631-6324

Malaysia Branch

Technollis Sdn. Bhd.
Suite 139, USAINS Holding Sdn. Bhd.
Kompleks Eureka,
Minden USM Sg. Dua, 11800, Penang.
Malaysia.
Tel: +(60)-4-656-1733
Fax: +(60)-4-656-1733

USA Representative

ASTI (USA) Inc.
46734, Fremont Boulevard, Fremont,
CA 94538, USA
Tel: +(1)-510-657-7619
Fax: +(1)-510-657-8651

Hardware

Features

Features	Description	
Processor System	CPU	Intel® Atom™ Processor Z510P/Z530P
	Clock Speed	1.1GHz / 1.6GHz
	FSB	533 MHz
	System Chipset	Intel® System Controller Hub (SCH) US15WP
	L2 Cache	512KB
	BIOS	Phoenix
Memory	Type	DDR2 400/533 MHz
	Capacity	Up to 2GB Max.
	Socket	1 x 200-pin SODIMM socket
Display	Graphics	Intel® SCH US15WP
	VRAM	Shared system memory up to 256MB
	Graphics Engine	<ul style="list-style-type: none"> - Intel® Graphics Media Accelerator 500 (Intel® GMA 500) - Ultra low power integrated graphics with 2D and 3D HW accelerator - Integrated High Definition Video decoder - Support MPEG2, MPEG4, H.264 WMV9/VC1 hardware decoder - Support DirectX 9.0Ex and OpenGL 2.0
	Interface	Dual independent display VGA or HDMI and 24bit LVDS
Network		4 x 10/100/1000 Gigabit Ethernet RJ45 port
I/O		2 x USB 2.0 Port 4 x USB 2.0 Pin Header 2 x miniPCI-E 1 x SD Card slot 1 x RS232 RJ45 Port 1 x Keyboard and Mouse Pin Header
Peripheral	Storage	SATA hard disk through USB connection (optional)
		ZIF SSD (optional)
Power	Power Supply	DC12V @ 2A
Board	Dimensions	203mm x 146mm



Product specifications, size and shape are subject to change without notice, and actual product appearance may differ from that depicted herein.

