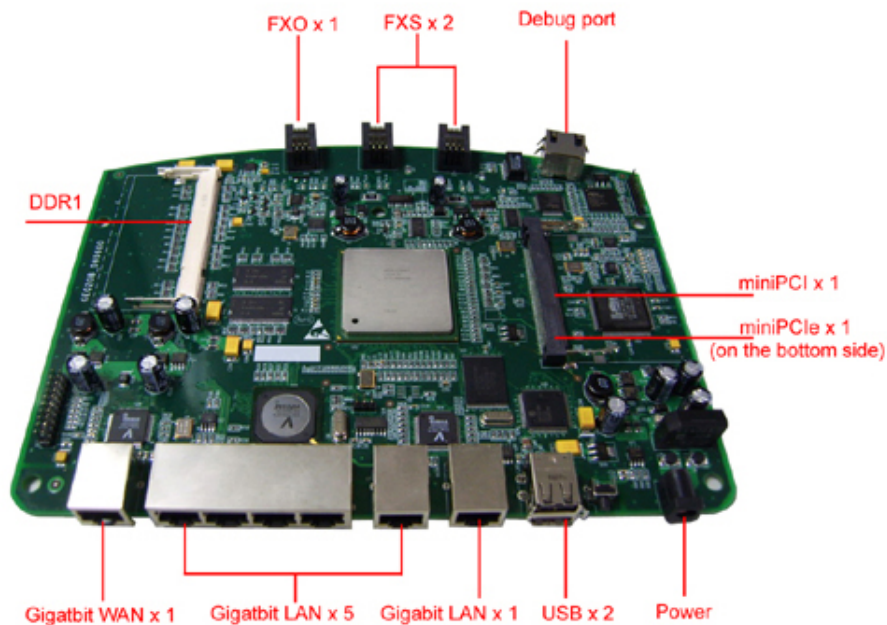


Intel IXP2350 Based Gigabit Wireless Router –GE0208A

Product Overview

One of Flexcomm's new released Gigabit Wireless Router--- GE0208A. GE0208A is a high-end product inherited with outstanding performance characteristic. This product is qualified with stability, robustness, and reliability. It is one of customers' choice for Gigabit Wireless Router and VoIP gateway.

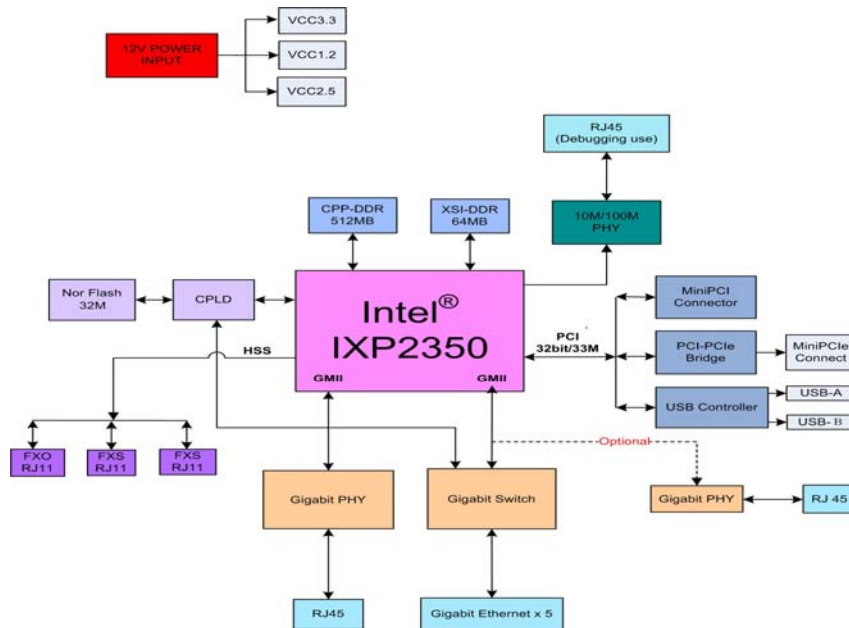
GE0208A is driven by one 900MHz Intel IXP2350 network processor. The network processor is the low power consumption Intel XScale core with micro-engine. GE0208A comes with one DDR1 memory slot, and allows expansion of memory capacity as needed. In addition, the board has one miniPCI, which can support various 802.11a/b/g/n wireless network cards; and one miniPCI Express, which can support the WiMax data card and other wireless cards. Its I/O port design is highly flexible for promotion. GE0208A has two design configurations: One configuration has five Gigabit LAN ports and one Gigabit WAN; the other has two Gigabit WAN connections. Users may choose the one according their needs. GE0208A not only has the outstanding data acquisition function, and also it provides packets cache for the user to transmit high bandwidth with advantage to save user's cost. Moreover, GE0208A has rich I/O ports, comprising a FXO port, two FXS ports, two USB2.0 ports and a debug port. At the same time, it supports VoIP encryption function. The unique merit of GE0208A is one board two purposes and multiple selections. It is highly durable and cost inexpensive for a perfect embedded system solution. It is added with artistic design, outstanding process ability, good layout, and advanced power source design, to guarantee the board is stable and reliable. GE0208A is especially suitable for SOHO, enterprise, or telecommunication use.



Application

- Firewall/VPN/NAT
- WiMAX Base Station, WiMAX CPE
- VoIP gateway

Block Diagram



Remark: It is optional to use 1 Gigabit WAN with 1 Gigabit LAN or 1 Gigabit WAN with 5 Gigabit LAN

Product Highlights

- High performances packet processing
- High speed access internet with Gigabit ports
- 2xFXS and 1xFXO port to support VoIP/ IP-PBX
- Support various 802.11a/b/g/n daughter card via Mini-PCI connector
- Support WiMAX data card and wireless network card via Mini-PCIE connector.

Hardware Specification

Processor	Intel®IXP2350 900MHz
Flash	32MB NOR Flash
Memory	64MB XSI DDR
	1 SO-DIMM slot, 512MB CPP DDR
WAN	1 x Gigabit WAN
LAN	5 x Gigabit LAN ports (optional 1x Gigabit LAN)
Wireless	1 x miniPCI slot
	1 x miniPCIE slot
USB	2 x USB 2.0 high speed host ports
Debug Port	1 x RJ-45 10/100 Base Tx Ethernet Port
VoIP	2 x FXS ports, 1 x FXO port
Power	DC+12V@3A, Maximum 30Watt
Dimension	228(L)X157(W)X30(H)mm

Flexcomm Limited (HQ): Flat 204-205, 2/F, Laford Centre, 838 Lai Chi Kok Road, Cheung Sha Wan, Kowloon, HK•Tel (852) 2303 0711•Fax (852) 2317 7522
 SZ Branch: 13th Floor,SangDa Science and Technology Building,No 1 KeJi Road, Hi-tech Industrial Park,Nanshan District,Shenzhen 518057 P.R .China•Tel (86) 755 8631 6382. 8631 6396 •Fax (86) 755 8631 6324
 Mal. Branch: Suite 26, USAINS Holdings Sdn. Bhd. Kompleks Eureka, Minden USM, Sungai Dua, 11800 Penang, Mal•Tel (604) 655 1733•Fax (604) 656 1733
 Webpage: www.flexcomm.com.cn•Email: sales@flexcomm.com.cn