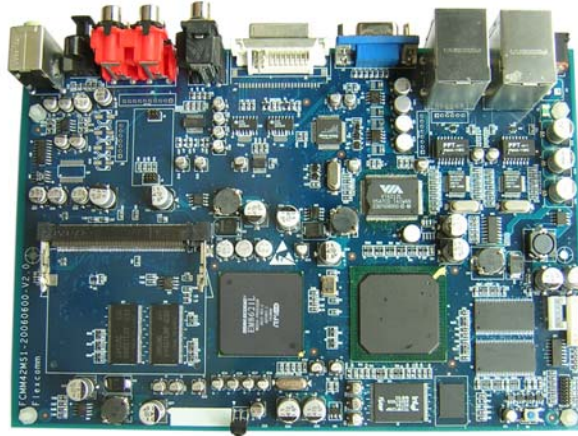


## Flexcomm Flexible Multimedia Gateway Product Brief



### Product Overview

---

Flexcomm's Flexible Multimedia Gateway (FMG) provides sophisticated solutions for advanced IP streaming media, on-line gaming and IPTV services, as well as for web browsing and e-mailing. It is capable of accessing wide range of interactive services through P2P network and also a Viiv™ compatible device.

The UPnP AV1.0 has been implemented to connect, browse and play desired media contents from any UPnP enabled media server.

It features highly flexible, complete audio and video outputs for HD and SD, as well as digital and analog AV outputs which provide consumer with an enjoyable multimedia experience. It comes with enhanced real time audio output for an exciting experience for remote gaming enthusiast. Users can have greater system flexibility with 2 built-in miniPCI slots which permit to have optional PVR and Wi-Fi functionality.

With Flexcomm's many years of in-depth experience in hardware and software design, the FMG platform enables providers to deploy IPTV/IP STB service to more subscribers with highly competitive pricing, and faster time-to-market product.

The modular approach of Flexcomm's FMG Middleware is capable of integrating multi-service provider's IP STB/IPTV applications software. The compact size of the PCB allows design of slim, stylish and elegant chassis.

### Product Highlights

---

- ◆ Intel ® IXP42x offers excellent platform to run Intel Viiv™ software stack.
- ◆ Sigma Designs® EM8621L provides MPEG 1/2/4, WMV9 HD decoding functionality.
- ◆ UPnP AV 1.0 Microstacks enable Plug-and-Play network connectivity.
- ◆ Middleware and application software are designed to conform to DLNA and NMPR guidelines, based on UPnP technology.

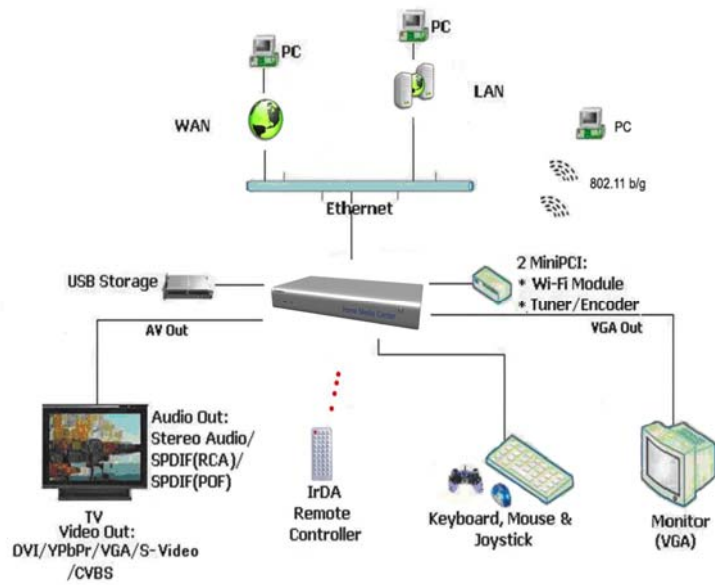
### Applications

---

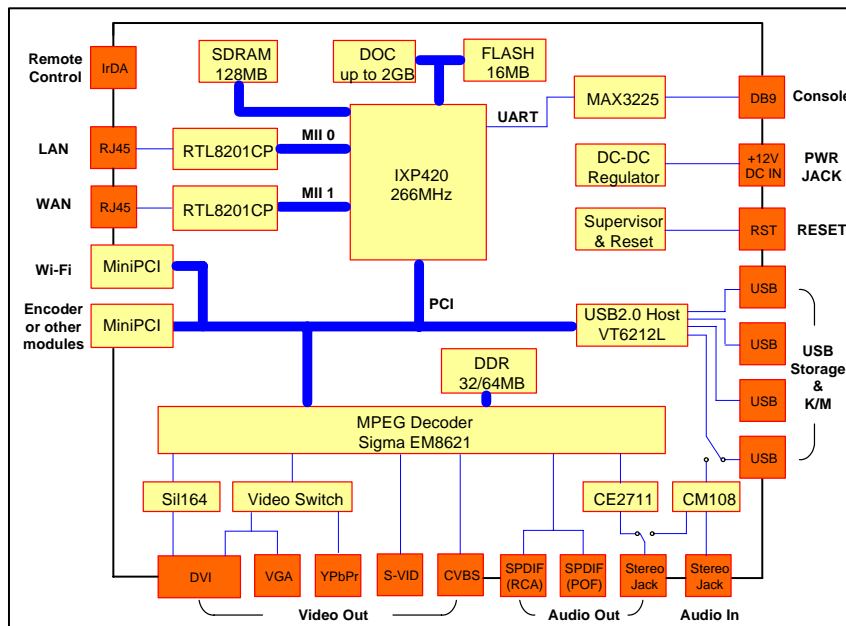
- ◆ P2P IP Multimedia Player
- ◆ IP Media Streaming Player
- ◆ Remote Gaming
- ◆ Instant Messaging

- ◆ Web Browser
- ◆ Wireless Streaming
- ◆ Support video encoder via Vweb encoding mini-PCI card (Optional)

## Deployment Diagram



## Hardware Block Diagram

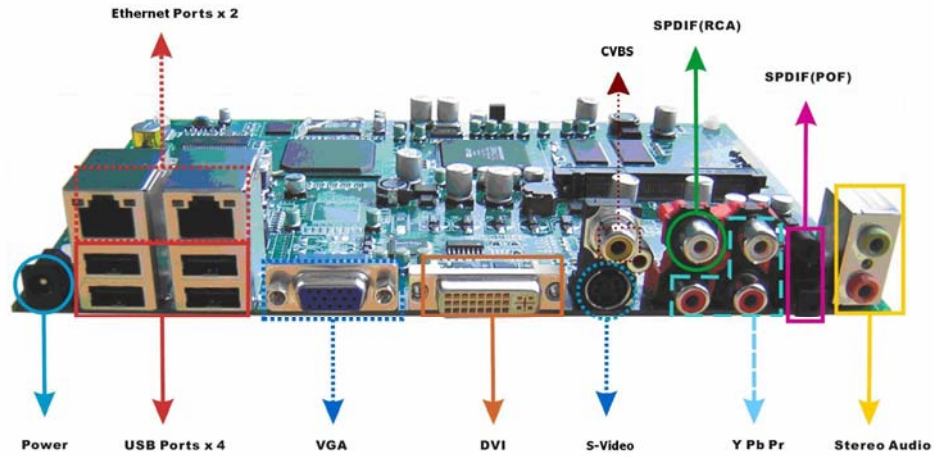


## Hardware Features

<b>Processor</b>	Network Processor	Intel® IXP420 266Mhz or 533MHz
		Flash up to 16MB
		SDRAM up to 256MB
		DOC 128MB, up to 2GB (Optional)
<b>Processor</b>	MPEG DECODER	Sigma Designs® EM8621L (MPEG 1/2/4, WMV9 decoder)
		DDR 64MB
<b>Network</b>	LAN/WAN	10/100 Ethernet LAN - RJ45 at rear panel
		10/100 Ethernet WAN - RJ45 at rear panel (optional)
<b>Network</b>	Wi-Fi	802.11g, Type III miniPCI slot
<b>Data</b>	USB 2.0	USB 2.0 ports, 1 at front panel; 2 at rear panel for tablet, mouse, key board and game pad
	USB HDD	USB 2.0 port on board (optional)
<b>Video In</b>	encoder	Vweb encoding miniPCI card (optional)
<b>Video Out</b>	Digital Video Out	DVI-D port at rear panel
	Analog Video Out	VGA port at rear panel
		S-Video/CVBS connector at rear panel
		CVBS - RCA connector at rear panel
<b>Audio Out</b>	Analog Audio Out	Headphone/Line-out 3.5mm jack at front panel
	Digital Audio Out	5.1ch SPDIF optical output at rear panel
<b>Audio In</b>	Analog Audio In	Microphone-in 3.5mm jack at front panel
<b>HID</b>	IR	IrDA Receiver for remoter control
<b>Physical char</b>	Dimension	145mmx214mm
<b>System</b>	Power Jack	DC +12V, 2A
	Power Switch	Power Switch x1
	HW Reset	Push button x1
	Console	RS232 3x1 header connector x1
	Debug Support	JTAG 8x2 Header x1

## Hardware Interface

---



Flexcomm Limited (HQ): Flat 204-205, 2/F, Laford Centre, 838 Lai Chi Kok Road, Cheung Sha Wan, Kowloon, HK•Tel (852) 2303 0711•Fax (852) 2317 7522  
SZ Branch: 13th Floor,SangDa Science and Technology Building,No 1 KeJi Road, Hi-tech Industrial Park,Nanshan District,Shenzhen 518057 P.R .China•Tel (86) 755 8631 6382. 8631 6396 •Fax (86) 755 8631 6324  
Mal. Branch: Suite 26, USAINS Holdings Sdn. Bhd. Kompleks Eureka, Minden USM, Sungai Dua, 11800 Penang, Mal•Tel (604) 655 1733•Fax (604) 656 1733  
Webpage: [www.flexcomm.com.cn](http://www.flexcomm.com.cn)•Email: [sales@flexcomm.com.cn](mailto:sales@flexcomm.com.cn)