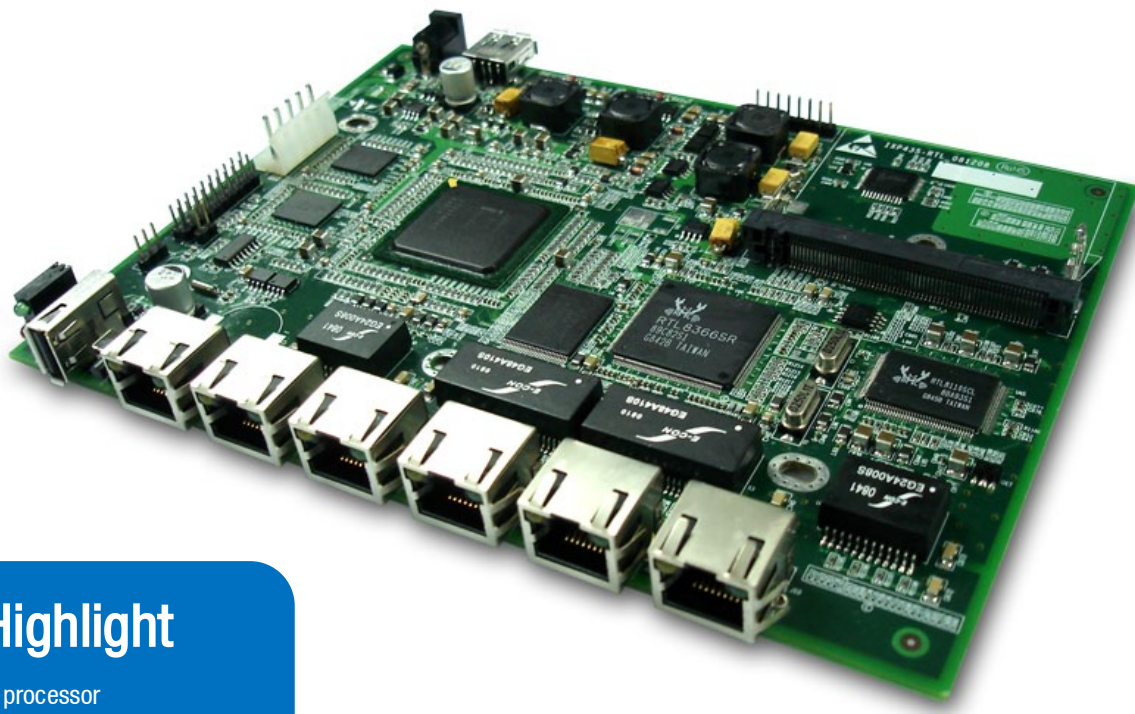


FIDS43RTL Broadband Gateway

Based on Intel® IXP430 / IXP435 Network Processor



Product

Highlight

- Intel® IXP430 / IXP435 network processor
- 6 Gigabit Ethernet ports for WAN and LAN
- 2 High Speed USB ports extend 3G / WiMAX access
- Easy software and platform migration from Intel® IXP42X, IXP45X, and IXP46X based solutions.
- Mass Production ready

Product

Overview

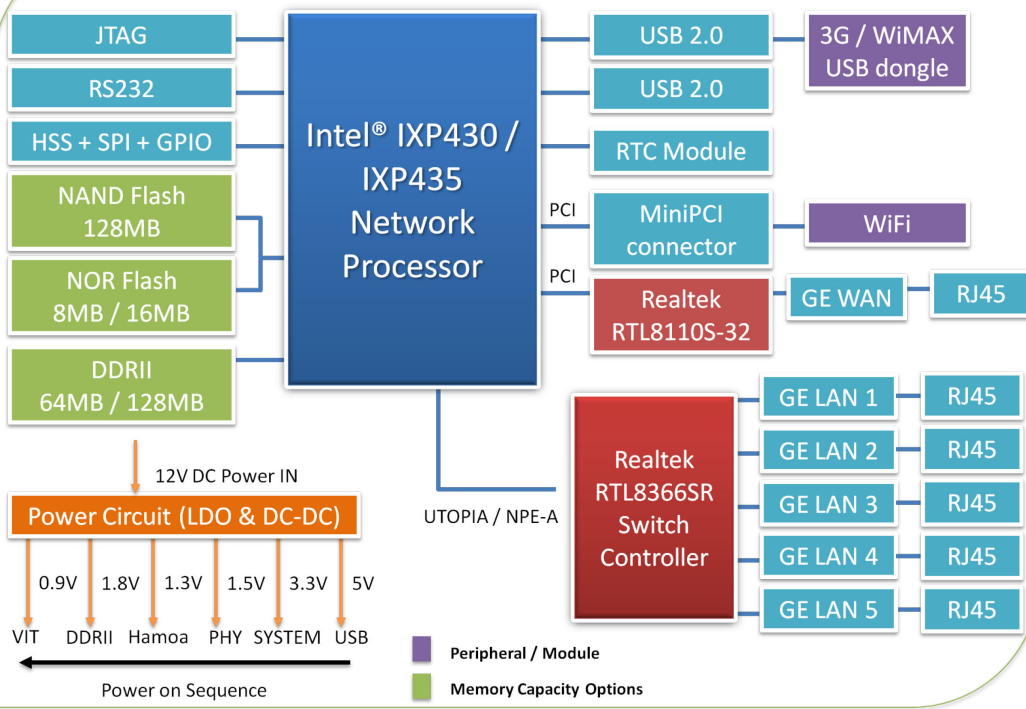
FIDS43RTL is a mass-production ready broadband gateway with built-in 1 Gigabit WAN and 5 Gigabit LAN ports based on the latest Intel® IXP430 / IXP435 network processor 400MHz / 533MHz / 667MHz core frequency, Realtek RTL8110S-32, and Realtek RTL8366SR chipset which can support TMM up to 400Mbps. It has one miniPCI slot for IEEE 802.11a/b/g/n wireless miniPCI module, and 2 USB 2.0 high speed host ports to extend peripheral devices, 3G and WiMAX USB module.

FIDS43RTL is a enterprise router / gateway for residential, SOHO and SME market. It can also be customized to be 3G / WiMAX Customer Premise Equipment (CPE) or base station. In addition, FIDS43RTL software package offer Linux kernel and drivers to accelerate customer's further development.

With the world leading developing experience of IXP43X network platforms, Flexcomm is able to provide strong technical support on this product and to fulfill customers' requirements.

Block

Diagram



Contact Information

Flexcomm Limited (HQ)

Flat 204-205, 2/F Laford Center,
838 Lai Chi Kok Road, Cheung Sha Wan,
Kowloon, Hong Kong.
Tel: +(852)-2303-0711
Fax: +(852)-2317-7522

Shenzhen (China) Branch

Flexcomm Technology (Shenzhen) Limited
13th Floor, SangDa Science and
Technology Building.
No 1 Keji Road, Hi-tech Industrial Park,
Nanshan District, Shenzhen 518057 P.R.
China.
Postal Code: 518057
Tel: +(86)-755-8631-6396 / 8631-6325
Fax: +(86)-755-8631-6324

Malaysia Branch

Technollis Sdn. Bhd.
Suite 139, USAINS Holding Sdn. Bhd.
Kompleks Eureka,
Minden USM Sg. Dua, 11800, Penang.
Malaysia.
Tel: +(60)-4-655-1733
Fax: +(60)-4-656-1733

USA Representative

ASTI (USA) Inc.
46734, Fremont Boulevard, Fremont,
CA 94538, USA
Tel: +(1)-510-657-7619
Fax: +(1)-510-657-8651

Hardware

Features

Features	Description	
Processor System	CPU	Intel® IXP430 / IXP435 network processor
	Core	Intel XScale® processor
	Clock Speed	400MHz / 533MHz / 667MHz
Chipset	Switch Controller	Realtek RTL8366SR 10/100/1000 Switch Controller Realtek RTL8110S-32 Single-Chip Gigabit LOM Ethernet Controller
	Type	DDR2 400MHz
Memory	Capacity	64MB / 128MB (default)
	Flash	NOR Flash 8MB / 16MB (default) NOR Flash NAND Flash 128MB NAND Flash (optional)
Wireless Communication	WiFi	1 x IEEE 802.11a/b/g/n miniPCI module (optional)
	3G	Support 3G USB dongle (optional)
	WiMAX	Support WiMAX USB dongle (optional)
Wired Communication	WAN	1 x 10/100/1000 Mbps Gigabit Ethernet (GE) RJ45 port
	LAN	5 x 10/100/1000 Mbps Gigabit Ethernet (GE) RJ45 port
Other ports and interfaces		2 x High Speed USB 2.0 host port 1 x miniPCI type III slot 1 x RS-232 pin header 1 x JTAG connector 1 x reset button
Power Supply	DC	12V DC input, pin header
Board Dimension		190mm x 144mm

SDK

- Redboot 2.04
- Linux Kernel 2.6.20
- Root file system
- Timesys tool chain



Product specifications, size and shape are subject to change without notice, and actual product appearance may differ from that depicted herein.

