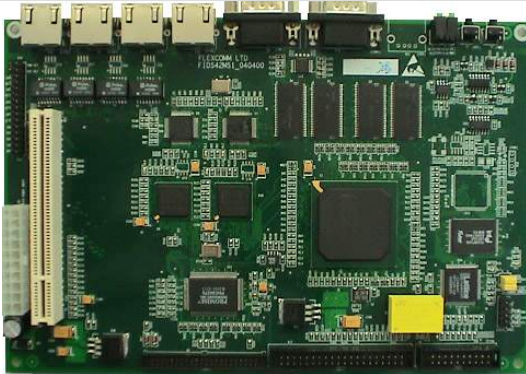


**Product Overview**

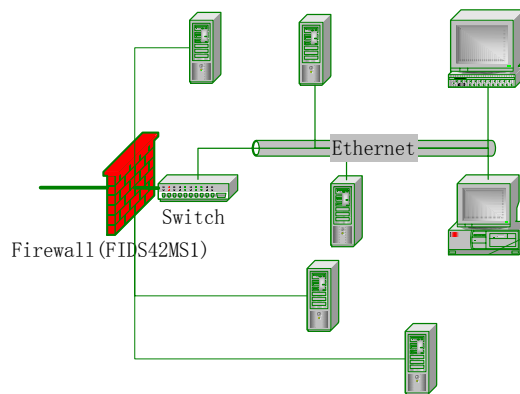


FIDS42MS1 provides four 10/100 Ethernet interfaces for firewall. Two of them are IXP425 NPE directly out, and the other two are PCI interfaced MAC. In addition, FIDS42MS1 also provides one IDE interface through PCI interfaced chip-PROMISE.

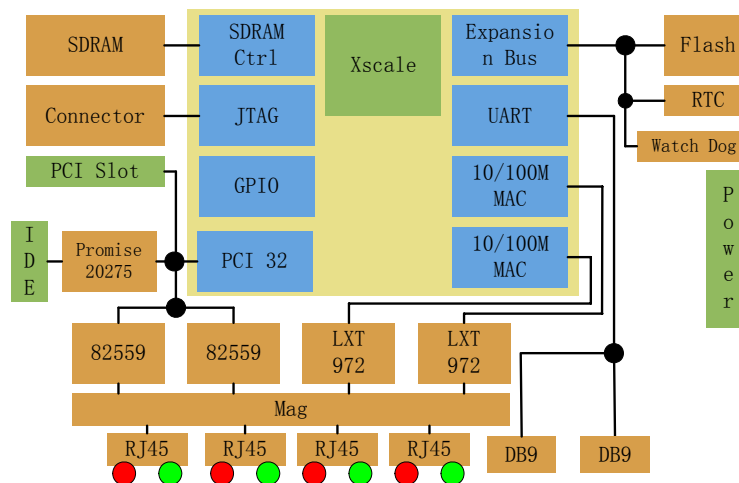
**Application Example**

**Firewall, VPN, Access or Residential Gateway FIDS42MS1**

Designed to be secure, reliable and manageable, FIDS42MS1 Platform combines RTOS and a purpose built compact hardware platform based on Intel IXP425 network processor. Flexcomm designed FIDS42MS1 with IDE, RTC to satisfy the requirements of Firewall, VPN, Residential gateway, Set top box, Integrate access device etc. at the satellite corporate office or enterprise application level.



**Block Diagram**



## Key Features

- 533MHz IXP425 provides high MIPS for OS/ Protocol stack/ Application etc.
- On-chip DES/ 3DES module of IXP425 is a good choice for IPsec feature.
- A flexible and intelligent network processor
- Provides 16MB FLASH
- Provides 128MB SDRAM (up to 256MB)
- Provides Debugging port or network traffic port
- Includes Reset LED, 2NPE Ethernet ports / two 82559 Ethernet port and their LEDs
- PDC20275 supports PCI-IDE

## Hardware Specifications

- Intel®533 (266, 400) MHz IXP425 network processor
- 16 Mbytes flash (4MB, 8MB, 16MB, 32MB)
- 128 Mbytes SDRAM (up to 256MB)
- Two RS232 Control port
- Two 10/100M Ethernet interfaces on the two NPEs of IXP425
- Two 10/100M Ethernet interfaces on PCI bus
- One IDE interface
- One PCI slot interface
- RTC
- 3.3V Power (ATX)
- Front panel
- IDE

## Software Features

- RedBoot is a standardized embedded debugging and bootstrap solution
- Provides 2.4.18 embedded kernel
- About hardware configuration, reference design, user manual.

## Reference Design Kit

- BSP/ Drivers for RT Linux
- Montavista Linux 3.0(2.4.18 kernel)
- Documents about hardware configure, reference, user manual

## Physical Description

Description	Specification
Physical Dimensions	21.9cm x 14.7cm
Power Consumption	8 Watts (max.)
Operating Temperature	0° to 50° C
Storage Temperature	-20° to 60° C