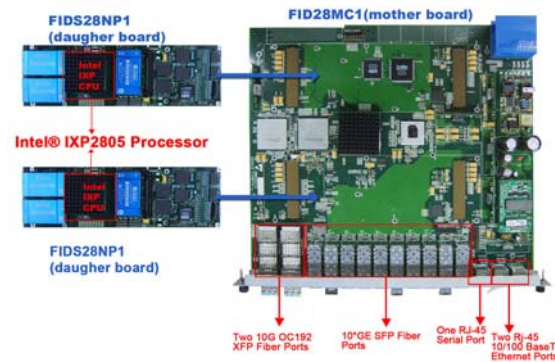


## Flexcomm FIDS28MC1 Product Brief



### Product Overview

Flexcomm FIDS28MC1 is a high performance network security platform based on Intel® IXP2805 Network Processor, which feature multi-microengines that provide fast and powerful processing of network data. With its high integration of multiple NPs and auxiliary components and its versatile interfaces including ten GE ports and two 10G OC192 ports, **FIDS28MC1 platform can save up to 50% in cost** comparing to traditional 10G platforms which may need two or more boards to implement those functions done in one FIDS28MC1 board.

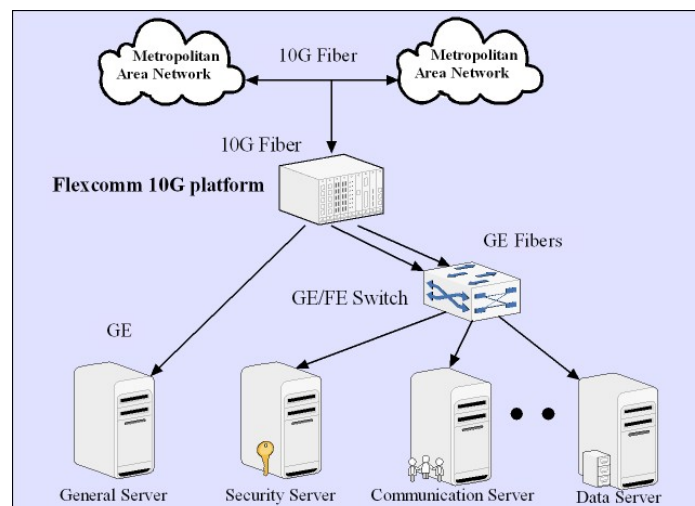
FIDS28MC1 is the main board and works with FIDS28NP1 daughter boards. The main board is able to carry two FIDS28NP1 cards. FIDS28NP1 consists of IXP2805 network processor, TCAM card, 768MB RDRAM, QDR, flash and CPLD. With SPI Switch on main board, it allows user to deploy one or two IXP2805 network processors to make port configurable, such as single directional or bidirectional OC192 to OC192, OC192 to 10xGE, and 10xGE to 10xGE packet processing. The IXP2805 processors can work in parallel or in series.

Flexcomm FIDS28MC1 system can be applied in networking security, broadband access and statistic of Metropolitan Area Network (MAN) and High-speed Backbone Network.

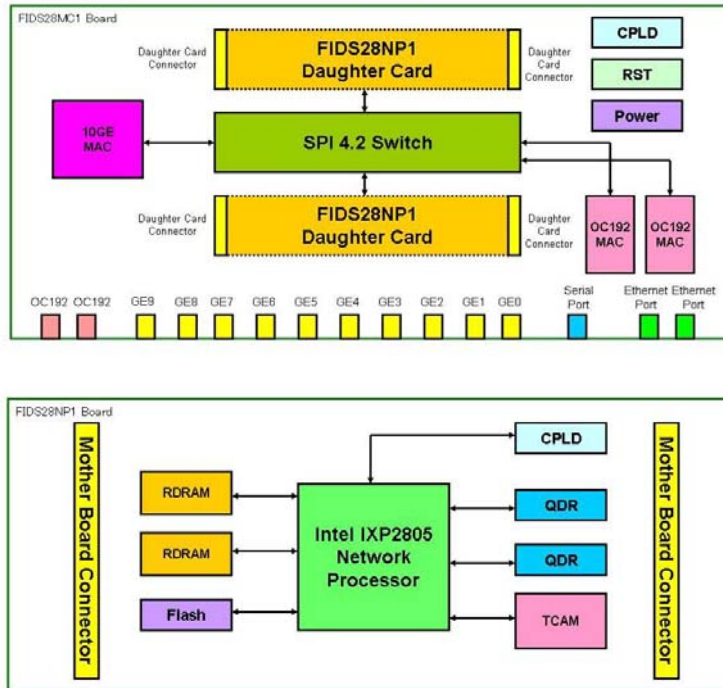
### Product Highlights

- Two Intel® IXP2805 Network Processors
- Mighty performance: up to 10Gbps system processing ability
- Support various interfaces: 10xGE ports and 2x10G OC192 ports
- Flexible configuration: Optional daughter card quantity and connection modes

### Deployment Diagram



## Hardware Block Diagram



## Hardware Specification

Feature	Description
<b>FIDS28MC1 Mother Board</b>	
10G OC192	Two 10G OC192 XFP Fiber Ports
GE Ports	10xGE SFP Fiber Ports
SPI Switch	One SPI4.2 SWITCH
Debug Ports	Two RJ-45 10/100/1000 BaseT Ethernet Ports One RJ-11 Serial Port
Physical	Dimension: 8Ux6HPx280mm ATCA, Single Slot
<b>FIDS28NP1 Daughter Card</b>	
Network Processor	Intel® IXP2805 Network Processor 16 Independent RISC Microengines @ 1.4 GHz Intel Xscale™ core @ 700 MHz Processors configurable in dual
Flash	32MB Flash per network processor
SRAM	Two QDR-II SRAM channels with 8MB per channel
Rambus®	3 channels of 256MB to provide 768MB
RDRAM	Max of 8 loads per channel up to 533MHz/1066MT
TCAM	4.5Mb of dual ported TCAM Dynamically configurable to 72/144/288b

## FIDS28MC1 SDK

- Redboot binary file
- Diagnostic program binary file
- Kernel source and binary file
- Customization Ramdisk file
- 10xGE MAC drive file and 10G OC192 MAC drive files