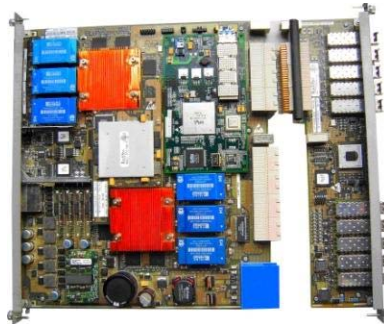


Flexcomm FIDS2800 Product Brief



Product Features

➤ **Two 1.4GHz IXP2800 network processors**

Flexcomm FIDS2800 is a high performance network security platform. The board consists of two Intel® IXP2800 CPUs, which feature multi-microengines that provide fast and powerful processing of network data. The Intel® IXP2800 network processor is the highest performance member of Intel second-generation network processor family. It combines 16 fully programmable multi-threaded microengines for packet forwarding and traffic management with an Intel XScale core on a single chip. The network processor is capable of performing more than 25 Giga-operations per second, enabling 10Gbps wire-speed processing even for minimum 40-byte Packet-over-Sonet (POS). The programmability and parallel nature of this processor chip make it an ideal choice when high performance and ability to quickly adapt to new network standards are required.

➤ **SPI Switch makes dual IXP2800 connected in flexible ways**

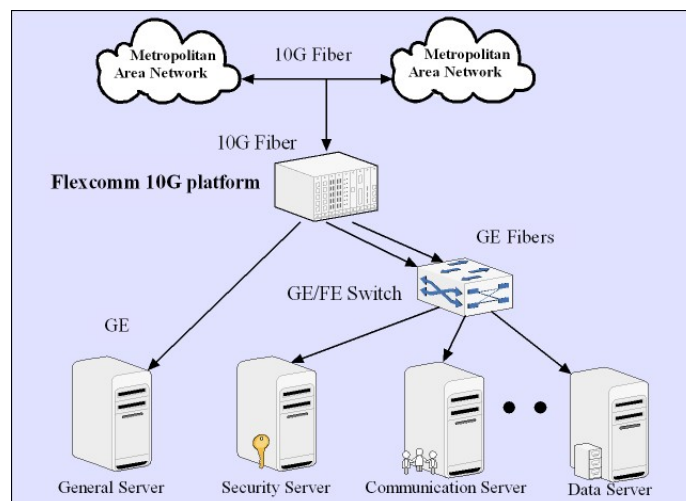
The two IXP2800 CPUs are connected by one SPI Switch. Through deploying SPI Switch, it makes dual IXP2800 flexible connecting methods come true, such as in parallel or in series. Through Zone 3 connector, RTM card, which provides ten SFP gigabit ports, is joined with SPI Switch which is on ATCA7010 main board. FIDS2800 provides one OC192 10G port, daughter card is joined to SPI Switch through FIC port. With SPI Switch deployment, it makes possible the packet transmitting between ten gigabit ports or the gigabit port and 10G OC192.

➤ **Embedded high-speed, big-capacity TCAM**

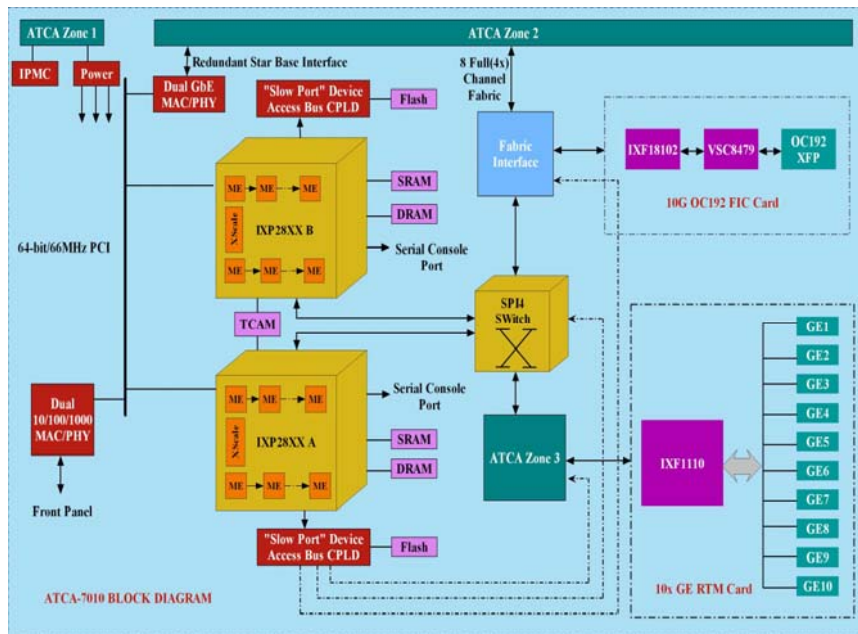
The FIDS2800 has 10xGE ports as well as one 10G OC192 port, which enable instant access to various high-speed backbone network. With its embedded high-speed and large-capacity TCAM, FIDS2800 is designed for 10 Gigabit/sec data rates, with typical usage in packet forwarding systems which is expert in rapid datagram matching and filtering.

With many years R&D experience in Intel® IXP series network processors, Flexcomm is able to provide strong technical support, including customization of various applications like firewalls, network security and data analysis based on FIDS2800 platform.

Deployment Diagram



Block Diagram



Hardware Features

Feature	Function	Description
Physical	Dimensions	8Ux6HPx280mm ATCA, single slot
	Compliance	PICMG 3.0 and PICMG 3.x
Processor System	Network Processor	Dual Intel® IXP2800
		16 independent RISC Microengines @ 1.4 GHz
		Intel Xscale™ core @ 700 MHz
		Processors configurable in dual
Memory	Flash	32 MB Flash per network processor
	Rambus® RDRAM	3 channels of 256MB to provide 768MB Max of 8 loads per channel up to 533MHz/1066MT
	SRAM	Three QDR-II SRAM channels with 8 MB per channel
	TCAM	18 MB of dual ported TCAM Dynamically configurable to 72/144/288b
	Interface Cards	10G OC192 Mezzanine card
Shelf Mgmt	Operation	HW Mgmt per ATCA PICMG 3.0.
Front Panel Connectors	Debug Ports	RJ-45 10/100/1000 BaseT Ethernet ports
		RJ-11 Serial ports for each network processor
RTM	Interfaces	Ten 1 Gigabit Ethernet with pluggable SFPs
		Zone 3 connection to baseboard over SPI-4 interface
Connectors, Backplane	Ethernet Base	ATCA Zone 2
	Fabric	8channels of 4x3.125GHz connected to ATCA Zone 2