

## Flexcomm FIDS24MC1 System

Compact PCI 2.16 board for Firewall / IDS / Network Monitor / Load Balance etc.



### Product Overview

The next-generation of multi-service network products must meet the growing users' demand for an integrated solution of packet filter, content inspection and state-checking techniques. In addition to implementing pivotal technologies, such as multi-layer filter and content detection at wire speed, equipment manufacturers must also deliver products which are easily upgraded with software, under stringent time-to-market deadline. This capability is important because it can facilitate the cost-effective deployment of new services without extensive hardware replacement.

Based on Intel IXP2400 network processor, FIDS24MC1 meets these requirements significantly. Intel network processor delivers high-performance and is flexible to value-add services because of its powerful parallel and programmable multi micro-engines. Together with FIDS24MC1 SDK, FIDS24MC1 can dramatically meet the requirements of the next

generation of Firewall, IDS, Network monitoring, Load balance, Content filter, Traffic statistics/ accounting, Protocol analysis and etc..

### Product Highlights

- Accelerates time-to-market of broadband products based on IXP2400, IXF1104, TCAM
- Platform FIDS24MC1 is a 6U cPCI card
- FIDS SDK 2.0 includes:
  1. BSP/ Drivers for VxWorks
  2. Reference design.
  3. System structure/ software structure/ interface spec documents.
- Hardware, software, tools and documents form a total platform.

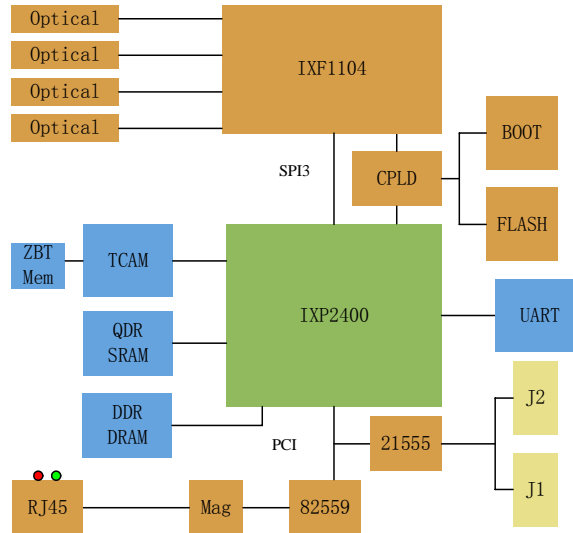
### FIDS24MC1 SDK

- BSP/ Drivers for VxWorks
- IPV4 L3 Forward reference design
- The following building blocks from Intel:
  1. Queue management
  2. Transmit scheduling
  3. Interface for the TCP/IP stack on the Intel XScale core

### Physical Description

Description	Specification
Dimension	233mmx160 mm
Power	35 Watts (max.)
Operating Tem	0° to 50° C
Storage Tem	-20° to 60° C

## Block Diagram



## Hardware Specification

<b>Processor</b>	Intel®IXP2400 network processor
<b>Memory</b>	Memory subsystem - 512MB DDR DRAM, 4MB QDR SRAM, 4.5Mb TCAM
<b>Flash</b>	16MB FLASH
<b>Front-panel Features</b>	Four Gigabit Ethernet connectors
	One 10/100 RJ-45 Ethernet connector for the PCI/Ethernet interface
	One RJ45 serial port connector
	One recessed master reset switch
	Green/Red – Pass/Fail indicator LEDs for GE port
<b>The Board Features</b>	Power connector for standalone application without the use of cPCI interface
	Memory subsystem - 512MB DDR DRAM, 4MB QDR SRAM, 4.5Mb TCAM
	16MB FLASH
	Inte®82559 Fast Ethernet Multifunctional PCI Bus-Controller
	SRAM connector