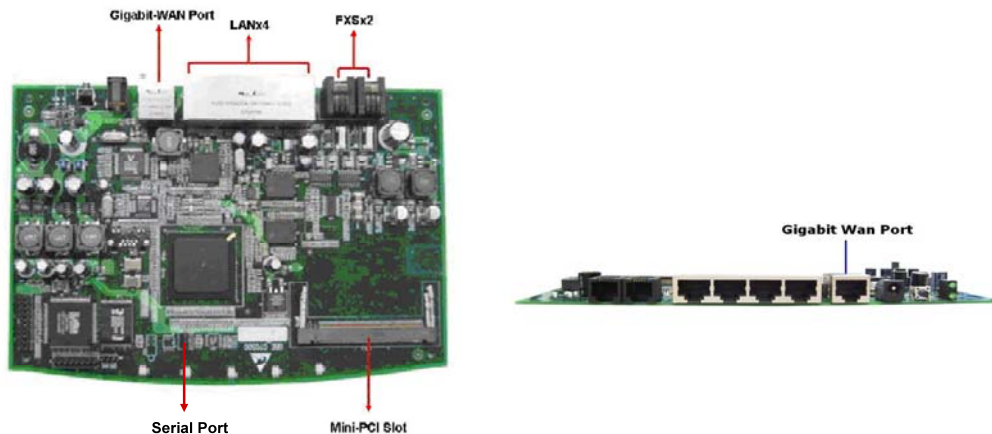


Flexcomm Cronus1000 Product Brief



Product Overview

Flexcomm Cronus1000 is a richly-featured, production-ready latest broadband Gateway with built-in **Gigabit WAN** based on the latest IXP435 network processor and Infineon Tantos 3G chipset solution. Cronus1000 offers a complete hardware and software solution for **integrated voice and data gateways for the residential, SOHO and SME markets**. Cronus1000 is production-ready; it is also an excellent vehicle for gateway OEMs to get product to market faster, at lower cost, and with less developmental risk.

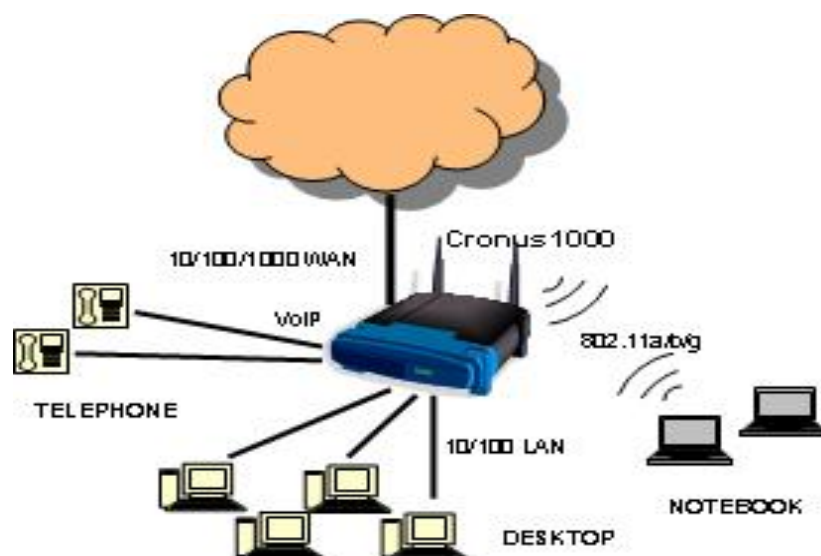
Cronus1000 is fully supported by pre-validated application stacks from Intoto. The software packages offer complete gateway services including VPN, stateful packet inspection firewall, 802.11a/b/g/n wireless, voice, bridging and routing, and remote management. VoIP capabilities including SIP proxy and terminal adapter are implemented leveraging the IXP435's native DSP capabilities. Intoto is the leading security software vendor providing proven CPE gateway solutions currently deployed in millions of units in the field.

Cronus1000 support **data transmission speed of up to 400Mbps** (bi-directional) through TMII interface which is supported by IXP435 NPE and Infineon Tantos 3G chipset. Cronus1000 includes **1 Gigabit WAN port** and **4 100Mbps LAN ports**, as well as **two RJ-11 ports capable for VoIP gateway functionality**. It is well suited for small and medium business use.

The two network processing engines (NPEs) enable service providers to deploy more services using existing infrastructure, thereby shortening TTM and maximizing ROI (return on investment).

Flexcomm provides complete support of Cronus1000 giving you expedited customized design and shorter time-to-market cycle.

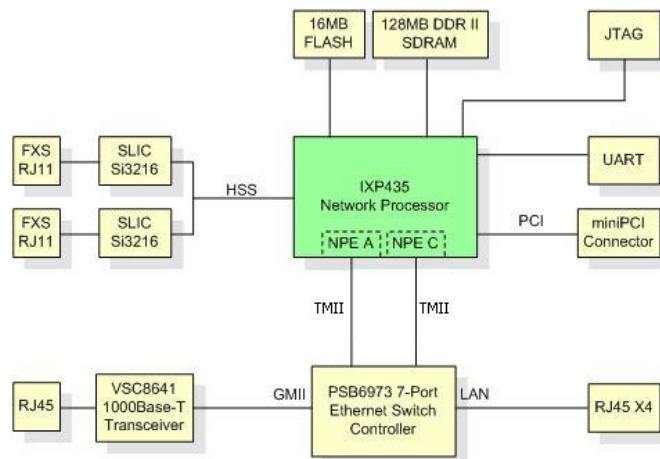
Deployment Chart



Highlight

- Latest Intel Xscale network processor **IXP435**, 667MHz CPU clock speed and DDRII-400 SDRAM, with optional of IXP43x for cost reduction and mass production.
- IXP435 NPE support TMII interface which allows **data transmission of up to 400Mbps** bi-directional
- **One gigabit WAN port** supports high speed connection to the Internet or network
- Infineon 3G chip PSB6973 7-port Ethernet switch controller (currently 4 ports on Cronus1000 board) with three GMII interfaces and total seven ports offers advanced features such as **QoS, VLAN, security, bandwidth control/guarantee, port mirroring, IGMP and management functions**
- Two **highly configurable VoIP ports** meet requirements of all countries
- One **Type III A miniPCI connector** for extension function, especially Wireless LAN module

Block Diagram



HW & SW Specification

Hardware Spec	Network Processor	Intel® IXP435 667MHz (optional IXP43x for cost reduction & mass production)
	Switch Controller	Infineon Tantos-3G
	Memory	128MB DDR II SDRAM
	Flash	16MB Intel P30 NOR Flash
	WLAN	802.11 a/b/g/n via miniPCI (Optional)
	LAN	4x10/100 Ethernet LAN ports
	WAN	1x10/100/1000 Ethernet WAN port
	VoIP	2xFXS ports
	miniPCI	1xType III A miniPCI slot
	LED	LAN/WAN Link/Activity indicators Power-on indicator
	Power Jack	DC +12V@2A
	HW Reset	1xPushbutton
	Console	1xRS232 Pin Header
	Debug Support	1xJTAG Header
	Software Spec	Bootloader
Linux Kernel		Linux Kernel 2.6.16 package
Toolchain		Timesys tool chain
Root Filesystem		Ramdisk image
Driver		Gigabit switch driver source code